

Application:

Oventrop compact distributor for the connection of the Regumat stations DN 25 (Regumat DN 32 with connection fittings)

Consisting of distributor, insulation and wall bracket including fixing material.

The distributor is, for instance, used for volume flow distribution from the heat generator to several heating circuits.

Advantages:

- space-saving and simple installation
- problem-free water distribution even for small performance ranges

Models:

Models:	Item no.:
for 2 heating circuits	1351582
for 3 heating circuits	1351583
for 4 heating circuits	1351584
for 5 heating circuits	1351585
for 6 heating circuits	1351586
for 7 heating circuits	1351587
for 8 heating circuits	1351588

Materials:

Distributor:	Steel, primed black
Insulation:	Expanded polypropylene
Wall bracket:	Steel, galvanised

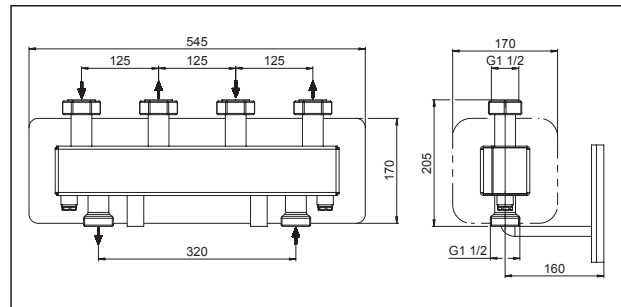
Connections:

To the heating circuit:	G 1½ collar nut, flat sealing
To the boiler:	G 1½ male thread, flat sealing

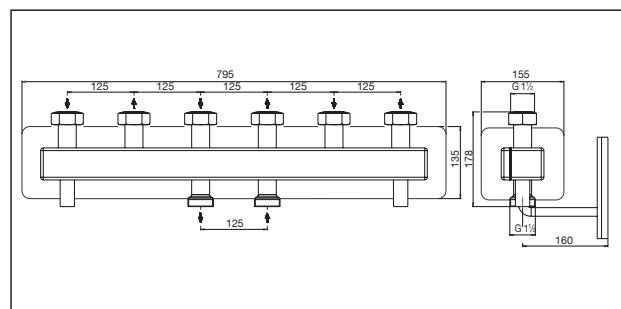
The direction of flow must be observed!

Technical data:

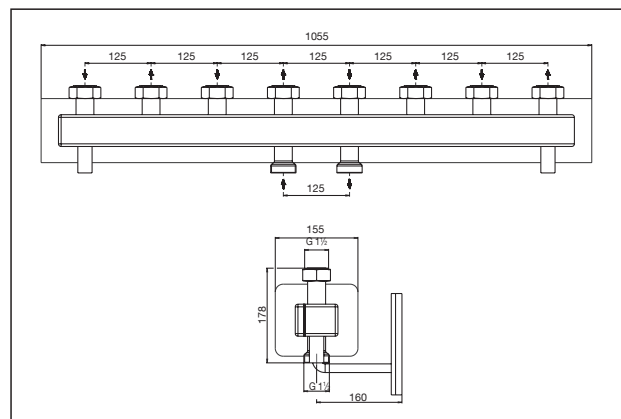
Max. operating pressure p_s :	4 bar
Max. operating temperature t_s :	110 °C
Max. flow rate:	4 m³/h
Recommended application range:	max. 95 kW ($\Delta T = 20K$)



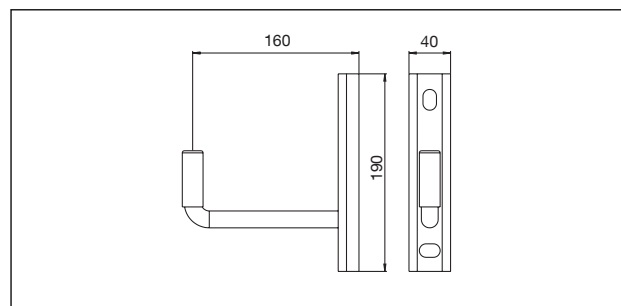
Dimensions distributor DN 25, 2-fold



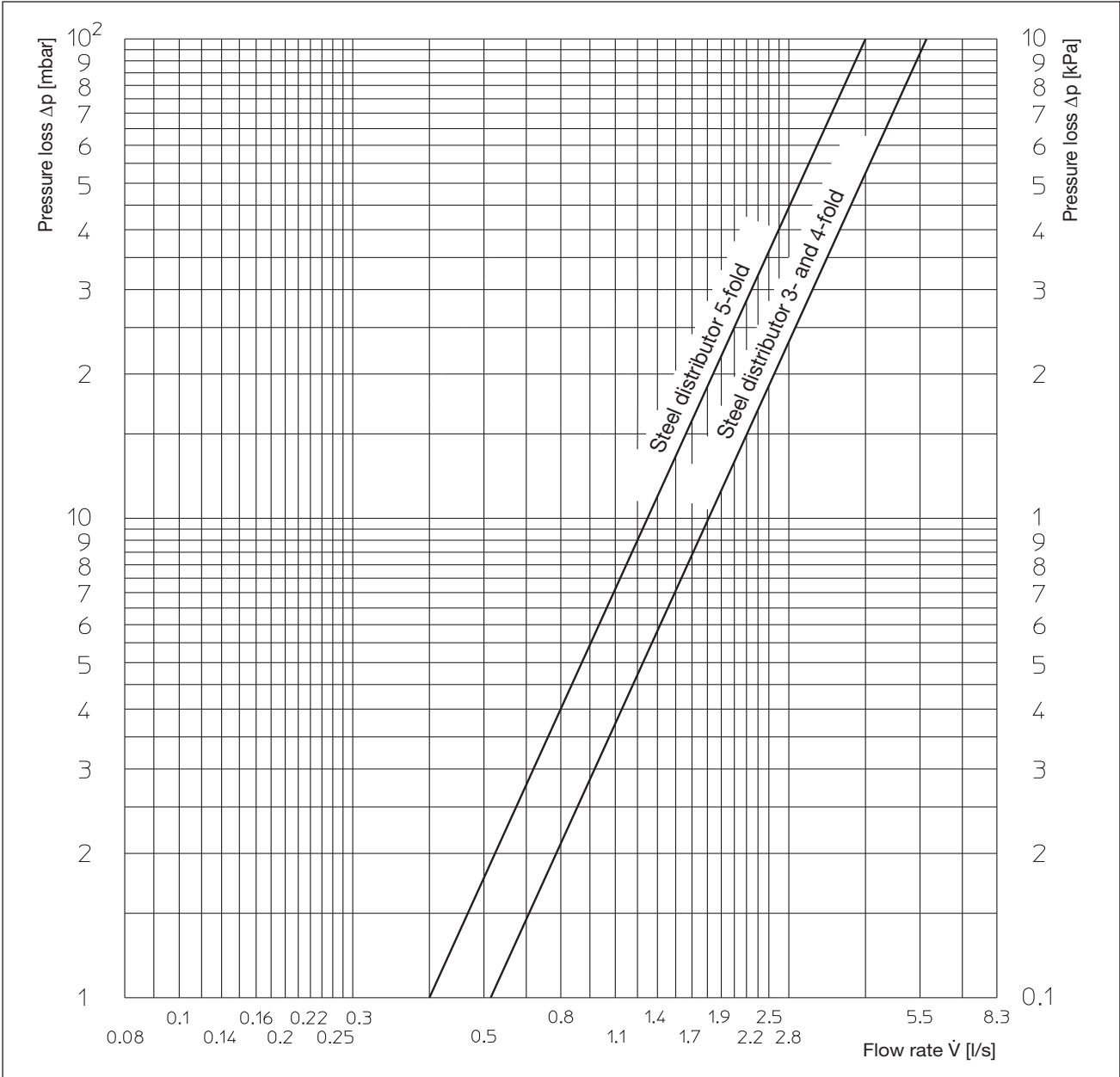
Dimensions distributor DN 25, 3-fold



Dimensions distributor DN 25, 4-fold



Dimensions wall bracket



Flow chart

Subject to technical modifications without notice.
Product range 3.1
ti 256-EN/10/MW
Edition 2020