

**Tender specifications:**

**Base mat NP-30**

For fixing the PE-Xc pipes “Copex”, PE-RT pipes “Copert” and composition pipes “Copipe” 14 x 2 mm, 16 x 2 mm and 17 x 2 mm with the possibility of 45 °diagonal laying.

For pipe laying distances of 6, 12, 18, 24, 30 cm.

With thermal and sound insulation made of expanded polystyrene (EPS), thermal conductivity group 040, thickness 30-2 mm, covered with polystyrene foil.

Maximum load: 5 kN/m<sup>2</sup>

Dynamic stiffness: ≤ 20 MN/m<sup>3</sup>

Sound improvement: 28 dB

Building material class B2 according to DIN 4102

Thermal resistivity R = 0.75 (m<sup>2</sup> K)/W

Foil overlap on two sides, therefore suitable for concrete and liquid screed complying with standards.

Effective size of base mat: 1.44 m x 0.84 m = 1.20 m<sup>2</sup>

Packing unit: 8 base mats per box (= 9.6 m<sup>2</sup>)

**Item no.:** 1402430 (= 1 base mat)

**Base mat NP-11**

For fixing the PE-Xc pipes “Copex”, PE-RT pipes “Copert” and composition pipes “Copipe” 14 x 2 mm, 16 x 2 mm and 17 x 2 mm with the possibility of 45 °diagonal laying.

For pipe laying distances of 6, 12, 18, 24, 30 cm.

With thermal insulation made of expanded polystyrene (EPS), thermal conductivity group 035, thickness 11 mm, covered with polystyrene foil.

Maximum load: 45 kN/m<sup>2</sup>,

Building material class B2 according to DIN 4102

Thermal resistivity R = 0.314 (m<sup>2</sup> K)/W

Foil overlap on two sides, therefore suitable for concrete and liquid screed complying with standards.

Effective size of base mat: 1.44 m x 0.84 m = 1.20 m<sup>2</sup>

Packing unit: 8 base mats per box (= 9.6 m<sup>2</sup>)

**Item no.:** 1402330 (= 1 base mat)

**Base mat NP**

For fixing the PE-Xc pipes “Copex”, PE-RT pipes “Copert” and composition pipes “Copipe” 14 x 2 mm, 16 x 2 mm and 17 x 2 mm with the possibility of 45 °diagonal laying.

For pipe laying distances of 6, 12, 18, 24, 30 cm.

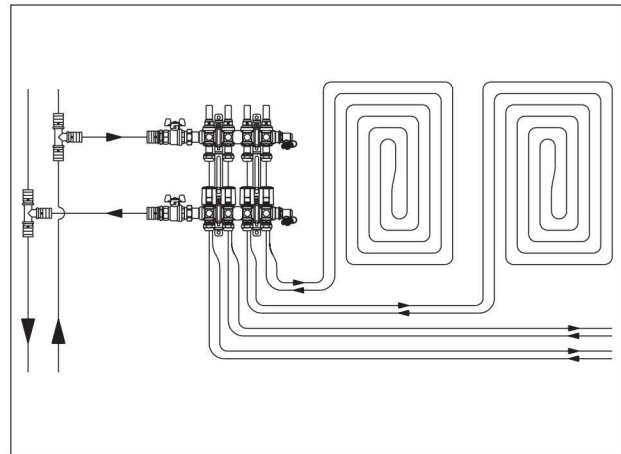
Made of moulded polystyrene foil, for laying on standard thermal and sound insulation.

Foil overlap on two sides, therefore suitable for concrete and liquid screed complying with standards.

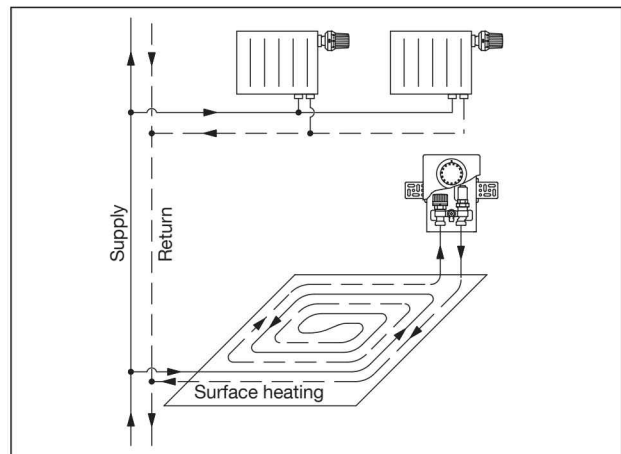
Effective size of base mat: 1.44 m x 0.84 m = 1.20 m<sup>2</sup>

Packing unit: 14 base mats per box (= 16.80 m<sup>2</sup>)

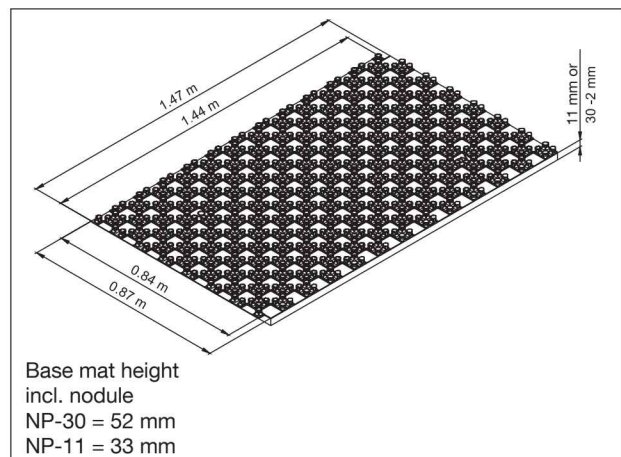
**Item no.:** 1402130 (= 1 base mat)



System illustration with stainless steel distributor/collector “Multidis”

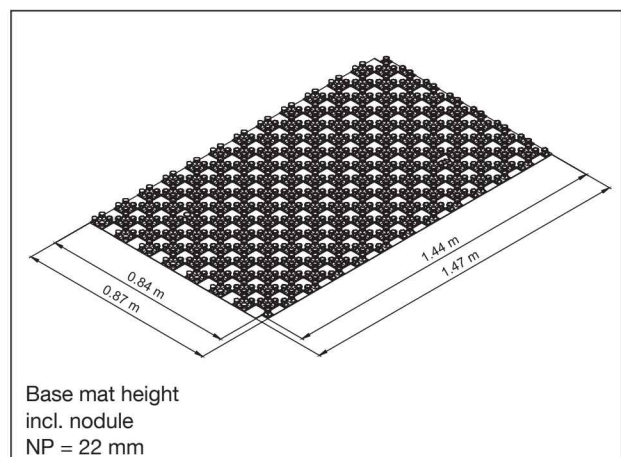


System illustration with installation set “Unibox”



Base mat height incl. nodule  
NP-30 = 52 mm  
NP-11 = 33 mm

Dimensions base mats NP-30 and NP-11



Base mat height incl. nodule  
NP = 22 mm

Dimensions base mat NP